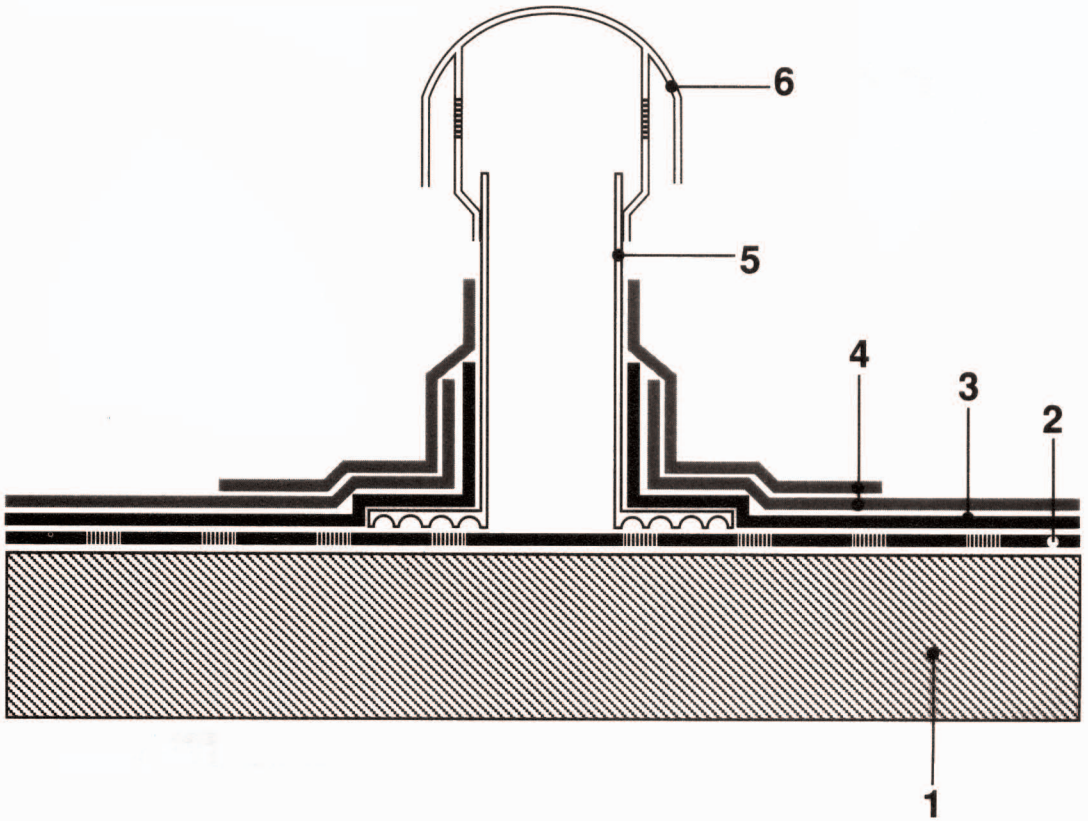




CHESTERFELT
ROOFING DIVISION

Foxwood Way, Sheepbridge,
Chesterfield, Derbyshire, S41 9RX
Tel: 01246 268000 Fax: 01246 268001

DETAIL DRAWING No 6:- COWL VENT



- 1 DECK
- 2 VENTING LAYER
- 3 UNDERLAY
- 4 MINERAL CAPPING MEMBRANE
- 5 VENT BASE
- 6 COWL TOP

THE VENTING SHOWN ABOVE IS REQUIRED WHEN NEW WATERPROOFING IS APPLIED ONTO AN EXISTING DECK, IT CAN HOWEVER BE ADAPTED TO DIFFERENT SPECIFICATION REQUIREMENTS.